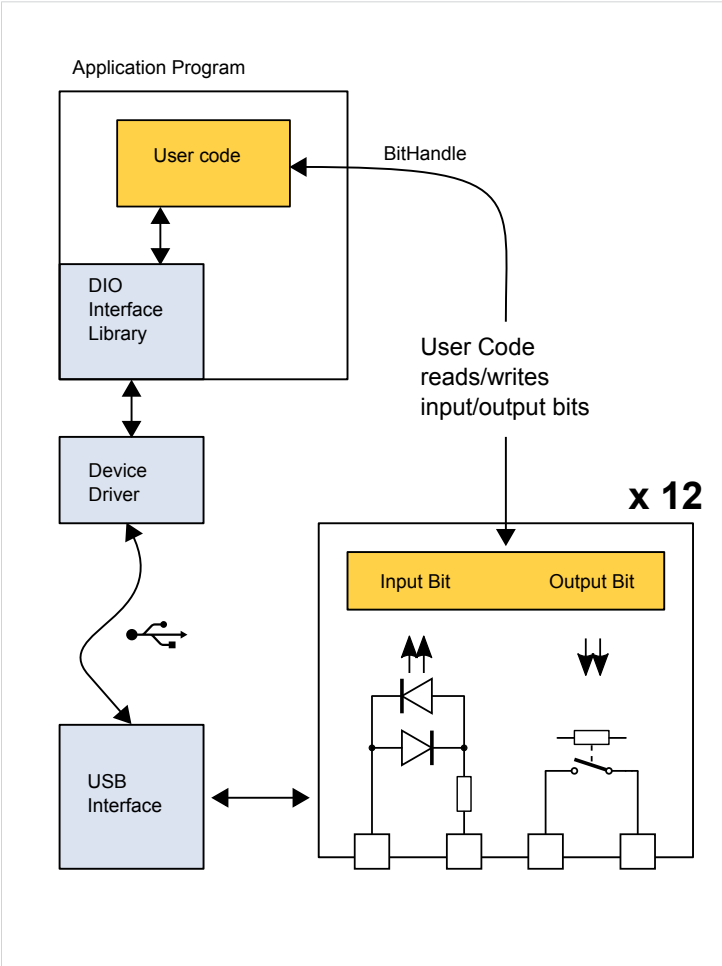


1 Overview

The DIO-3460 is a space-saving industrial I/O module with 12 opto-isolated inputs and 12 relay outputs.

Application software can read the state of input ports and control the state of the relay outputs.

Integrated watchdog functionality opens all relay contacts if the communication with the controlling application program is broken, or an internal firmware stuck has been detected.



An IMPORTANT NOTICE at the end of this document addresses availability, warranty, changes, use in safety-critical applications, intellectual property matters and other important disclaimers.



2 Programming

The DIO-3460 is controlled by an application program.

Class Documentation

Class documentation for DIO-3460 is provided here: [annotated class reference](#), [file list](#), [namespace list](#), [functions](#), [examples](#).

The [dio_demo](#) example demonstrates how to use a single DIO-3460 in an application program.

Important Notice

No references to the C++ API documentation are available in this standalone version of the manual. In order to access the C++ API documentation download and install the complete driver software package.

Limited warranty and liability

Information in this document is believed to be accurate and reliable. However, the publisher does not give any representations or warranties, expressed or implied, as to the accuracy or completeness of such information and shall have no liability for the consequences of use of such information. The publisher takes no responsibility for the content in this document if provided by an information source outside of the publisher. In no event shall the publisher be liable for any indirect, incidental, punitive, special or consequential damages (including - without limitation - lost profits, lost savings, business interruption, costs related to the removal or replacement of any products or rework charges) whether or not such damages are based on tort (including negligence), warranty, breach of contract or any other legal theory.

Notwithstanding any damages that customer might incur for any reason whatsoever, the publishers' aggregate and cumulative liability towards customer for the products described herein shall be limited in accordance with the Terms and conditions of commercial sale of the publisher.

Trademarks

Product, service, or company names used in this document are for identification purposes only and may be either trademarks or registered trademarks of the relevant trademark owners. LabView, NI-488.2, LabWindows, PXI, DASyLab, DIAdem are trademarks or registered trademarks of National Instruments Corp., USA, in the United States and/or other countries. Microsoft, Windows, Windows NT, Windows CE, Windows 2000, Windows ME, Windows XP, Windows Vista, Visual Basic, Visual-C++ are trademarks or registered trademarks of Microsoft Corporation in the United States and/or other countries.

Specifications

All specifications are subject to change without prior notice.

B2B only

Our range of products and services is directed exclusively at commercial customers, institutes and public authorities, as well as other natural or legal persons or partnerships with legal capacity, who, when concluding a legal transaction, act in the exercise of their commercial or independent professional activity. Any business to consumers (i.e. natural persons who conclude a legal transaction for purposes which can predominantly be attributed neither to their commercial nor to their self-employed professional activity) is excluded.

Software

ALL SOFTWARE IS PROVIDED "AS IS", WITHOUT WARRANTY OF ANY KIND, EXPRESS OR IMPLIED, INCLUDING BUT NOT LIMITED TO THE WARRANTIES OF MERCHANTABILITY, FITNESS FOR A PARTICULAR PURPOSE AND NON-INFRINGEMENT. IN NO EVENT SHALL THE AUTHORS OR COPYRIGHT HOLDERS BE LIABLE FOR ANY CLAIM, DAMAGES OR OTHER LIABILITY, WHETHER IN AN ACTION OF CONTRACT, TORT OR OTHERWISE, ARISING FROM, OUT OF OR IN CONNECTION WITH THE SOFTWARE OR THE USE OR OTHER DEALINGS IN THE SOFTWARE.