



USB Measurement Bridge Adapter

- **4(+1) analog input channels**
- **Ratiometric Measurements**
- **Windows 10/11, Linux, 32/64 bit**

Features

- **4 bridge channels**
- **RTD channel for temperature compensation**
- **DAQ section isolated from USB**
- **USB Connector with high retention force**

Applications

- **Pressure measurement**
- **Strain gage transducers**
- **Weigh Scales**
- **Flow Meters**
- **MQTT publisher**



Overview

The BAM-2260 is a four channel measurement bridge amplifier and data acquisition unit. It uses an isolated, ratiometric sigma-delta converter for precise measurements.

The software application on the computer can be developed in Python, LabView, C, C++, or any other compatible programming language supporting standard libraries.

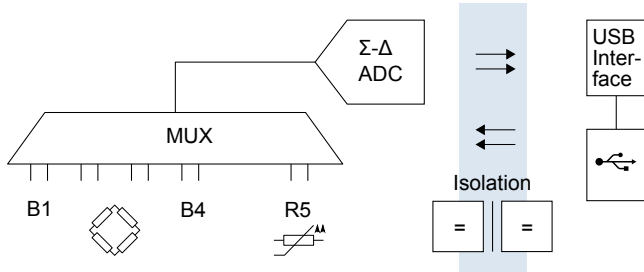
The LabDash browser-based interface is available for interactive setup, operation and observation.



An IMPORTANT NOTICE at the end of this document addresses availability, warranty, changes, use in safety-critical applications, intellectual property matters and other important disclaimers.



BAM Architecture

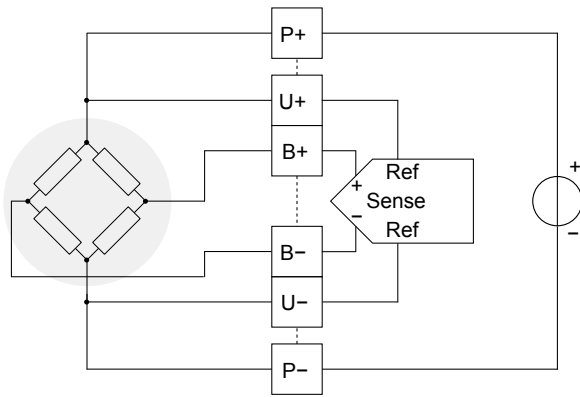


The BAM-2260 multiplexes 4 differential bridge channels (B1-4) and a RTD channel (R5) onto a sigma-delta analog-to-digital converter. In order to reduce noise, this analog part is galvanically isolated from the digital part, which consists of a controller with USB-2.0 interface.

Compatible Sensors

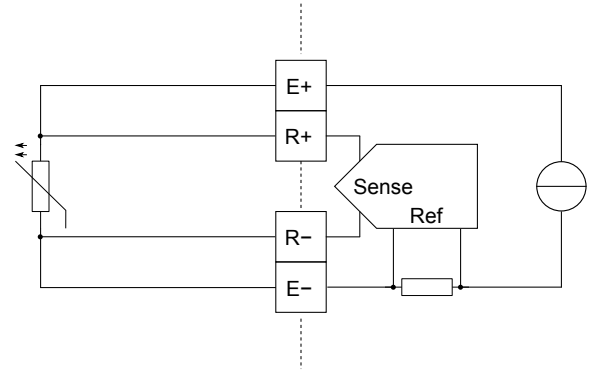
Due to a 3.3V bridge supply nearmost any resistive bridge sensor may be connected to the BAM-2260 without exceeding the sensor specifications. Passive bridge sensors specified for a 5V supply also work with the 3.3 V bridge supply.

Bridge Channel Connections



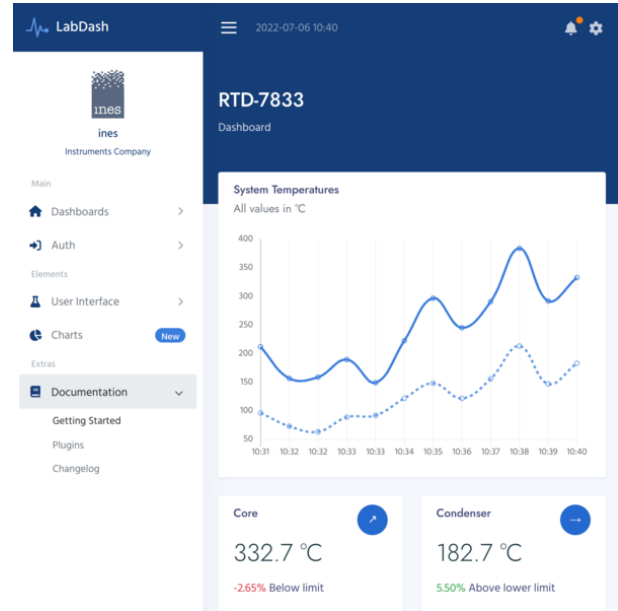
In ratiometric measurements, the noise effects of the bridge supply voltage P are removed by using the ratio of B/U for the measurement.

RTD Channel Connection

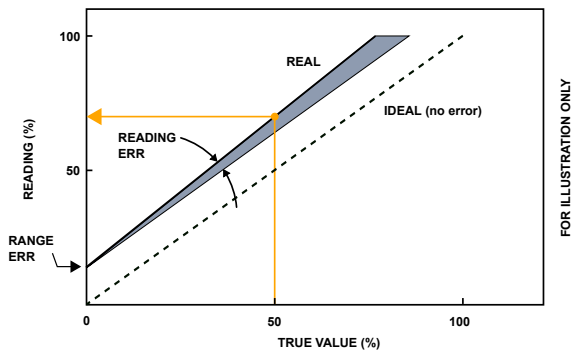


In resistive temperature measurements, the noise effects of the excitation current flowing through the E terminals is removed by using the ratio of the voltage drops from the Sense and Reference resistors for the measurement.

LabDash Browser-Based Interface



Measurement Uncertainty



The accuracy specifications for the device are expressed in the form: (% of reading + % of range) which match the dominate sources of error, gain and offset. The reading error term is from inaccuracies such as amplifier gains, divider ratios or internal reference voltages. The range error term is from inaccuracies such as amplifier offsets, leakage current effects and thermocouple effects. Total measurement error is the sum of the readings and range errors.

Specifications

Analog Data

Bridge Supply Voltage: 3.3 V DC (5V compatible)

Bridge Reference Voltage: max. ± 3.3 V

Bridge Input Voltage: max. \pm Reference

Isolation (USB to Analog)

Creepage distance (PCB design): ≥ 3.2 mm

Bleeder Resistor: 2.2 M Ω , 0.5 W, 1 kV

Isolation Voltage (Optocouplers): 2.5kV rms AC, 60 seconds

Connectors

USB Interface: USB 2.0 Type-B

Analog Signals: D-SUB-25S (Socket) UNC-4/40

Environmental and Physical

Size (excluding connectors): 111 mm L x 76 mm W x 29 mm H

Weight: 160 g

Operating ambient temperature: 0 ... 50°C

Storage temperature: -20 ... 80°C

Relative humidity: 5 ... 95%, noncondensing

USB connector: Extraction force ≥ 15 N, Mating force ≤ 35 N

Ordering Information

BAM-2260 - Instrument, USB cable (1m), Software Download Card

Important Notice

Limited warranty and liability — Information in this document is believed to be accurate and reliable. However, the publisher does not give any representations or warranties, expressed or implied, as to the accuracy or completeness of such information and shall have no liability for the consequences of use of such information. The publisher takes no responsibility for the content in this document if provided by an information source outside of the publisher. In no event shall the publisher be liable for any indirect, incidental, punitive, special or consequential damages (including - without limitation - lost profits, lost savings, business interruption, costs related to the removal or replacement of any products or rework charges) whether or not such damages are based on tort (including negligence), warranty, breach of contract or any other legal theory. Notwithstanding any damages that customer might incur for any reason whatsoever, the publishers' aggregate and cumulative liability towards customer for the products described herein shall be limited in accordance with the Terms and conditions of commercial sale of the publisher.

Trademarks — Product, service, or company names used in this document are for identification purposes only and may be either trademarks or registered trademarks of the relevant trademark owners. LabView, NI-488.2, LabWindows, PXI, DASyLab, DIAdem are trademarks or registered trademarks of National Instruments Corp., USA, in the United States and/or other countries. Microsoft, Windows, Windows NT, Windows CE, Windows 2000, Windows ME, Windows XP, Windows Vista, Visual Basic, Visual-C++ are trademarks or registered trademarks of Microsoft Corporation in the United States and/or other countries.

Specifications — All specifications are subject to change without prior notice.

B2B only — Our range of products and services is directed exclusively at commercial customers, institutes and public authorities, as well as other natural or legal persons or partnerships with legal capacity, who, when concluding a legal transaction, act in the exercise of their commercial or independent professional activity. Any business to consumers (i.e. natural persons who conclude a legal transaction for purposes which can predominantly be attributed neither to their commercial nor to their self-employed professional activity) is excluded.

Software — ALL SOFTWARE IS PROVIDED "AS IS", WITHOUT WARRANTY OF ANY KIND, EXPRESS OR

IMPLIED, INCLUDING BUT NOT LIMITED TO THE WARRANTIES OF MERCHANTABILITY, FITNESS FOR A PARTICULAR PURPOSE AND NON-INFRINGEMENT. IN NO EVENT SHALL THE AUTHORS OR COPYRIGHT HOLDERS BE LIABLE FOR ANY CLAIM, DAMAGES OR OTHER LIABILITY, WHETHER IN AN ACTION OF CONTRACT, TORT OR OTHERWISE, ARISING FROM, OUT OF OR IN CONNECTION WITH THE SOFTWARE OR THE USE OR OTHER DEALINGS IN THE SOFTWARE.